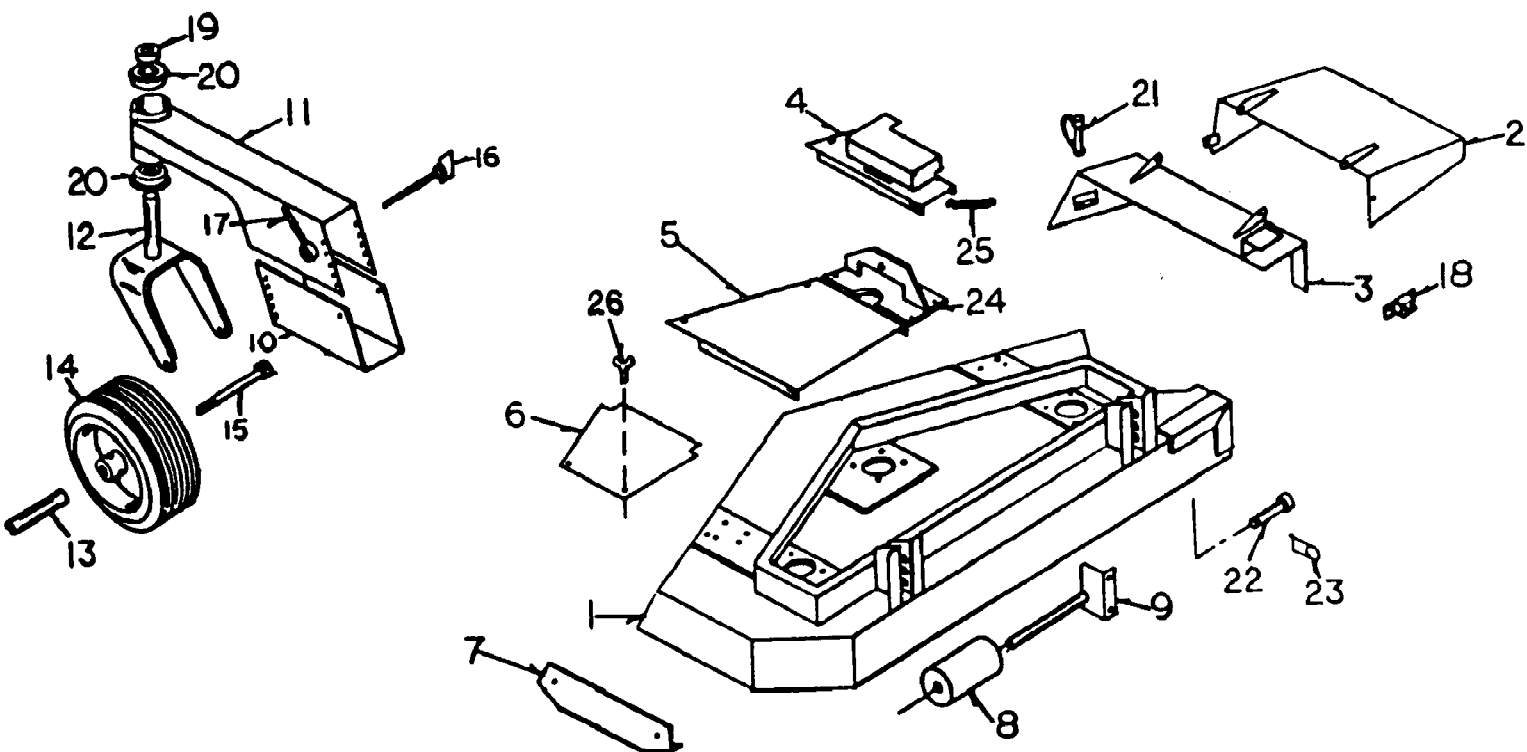


131-002-190 FR-12 (1991)
42" Deck Drive

Page 2 of 30

| Ref # | Part Number | Qty | S/P/F | Description |
|-------|-------------|-----|-------|--|
| 1 | WD-311-0001 | 1 | | Gearbox Mount |
| 2 | WD-311-0002 | 1 | | Belt Guard |
| 3 | WD-310-0006 | 1 | | Gearbox Mount Angle |
| 4 | WD-300-0029 | 1 | | Belt Tightener |
| 5 | WD-300-0030 | 1 | | Belt Tightener |
| 6 | WD-300-0025 | 3 | S | Spindle Housing |
| 7 | WD-300-0027 | 3 | S | Spindle Spacer |
| 8 | WD-900-3506 | 6 | S | Spindle Bearing |
| 9 | WD-300-0026 | 2 | S | Spindle Shaft |
| 10 | WD-300-0033 | 1 | | Spindle Shaft |
| 11 | WD-900-5531 | 3 | S | Blade |
| 12 | WD-900-5534 | 3 | S | Blade Washer |
| 13 | WD-900-6080 | 3 | S | Hex Bolt, 3/8-24 x 1 1/4", GRS |
| 14 | WD-900-2507 | 2 | S | Spindle Pulley |
| 15 | WD-900-6002 | 9 | S | Spacer Washer |
| 16 | WD-900-2516 | 1 | S | Spindle Pulley, Double A |
| 17 | WD-900-2515 | 1 | | Gearbox Pulley, Output |
| 18 | | 1 | | Hub (Included w/900-2515) |
| 19 | WD-900-2518 | 2 | S | Idler Pulley |
| 20 | WD-900-2525 | 1 | S | Gearbox Pulley, Input |
| 21 | WD-900-3004 | 1 | S | Deck Drive Belt |
| 22 | WD-900-3006 | 1 | S | Deck Belt |
| 23 | WD-900-3007 | 1 | S | Deck Belt |
| 24 | WD-900-5842 | 1 | S | Gearbox |
| | WD-999-2010 | 1 | | Grease, SHC-460 |
| 25 | WD-900-6073 | 3 | S | Hex Ny-Lock Bolt, 5/16-24 x 3/4". GRS |
| 26 | WD-300-0017 | 3 | S | Washer, 5/16", 10 GA |
| 27 | WD-900-7001 | 6 | S | Key, 3/16" x 1" |
| 28 | WD-900-6034 | 2 | | Hex Tap Bolt, 1/4-20 x 4" |
| 29 | WD-600-0000 | 1 | S | Spindle Housing Assembly (Include Item 6, 7 & 8) |
| | WD-900-2528 | 1 | | Spindle Pulley |

131-002-190 FR-12 (1991)
42" Deck Parts



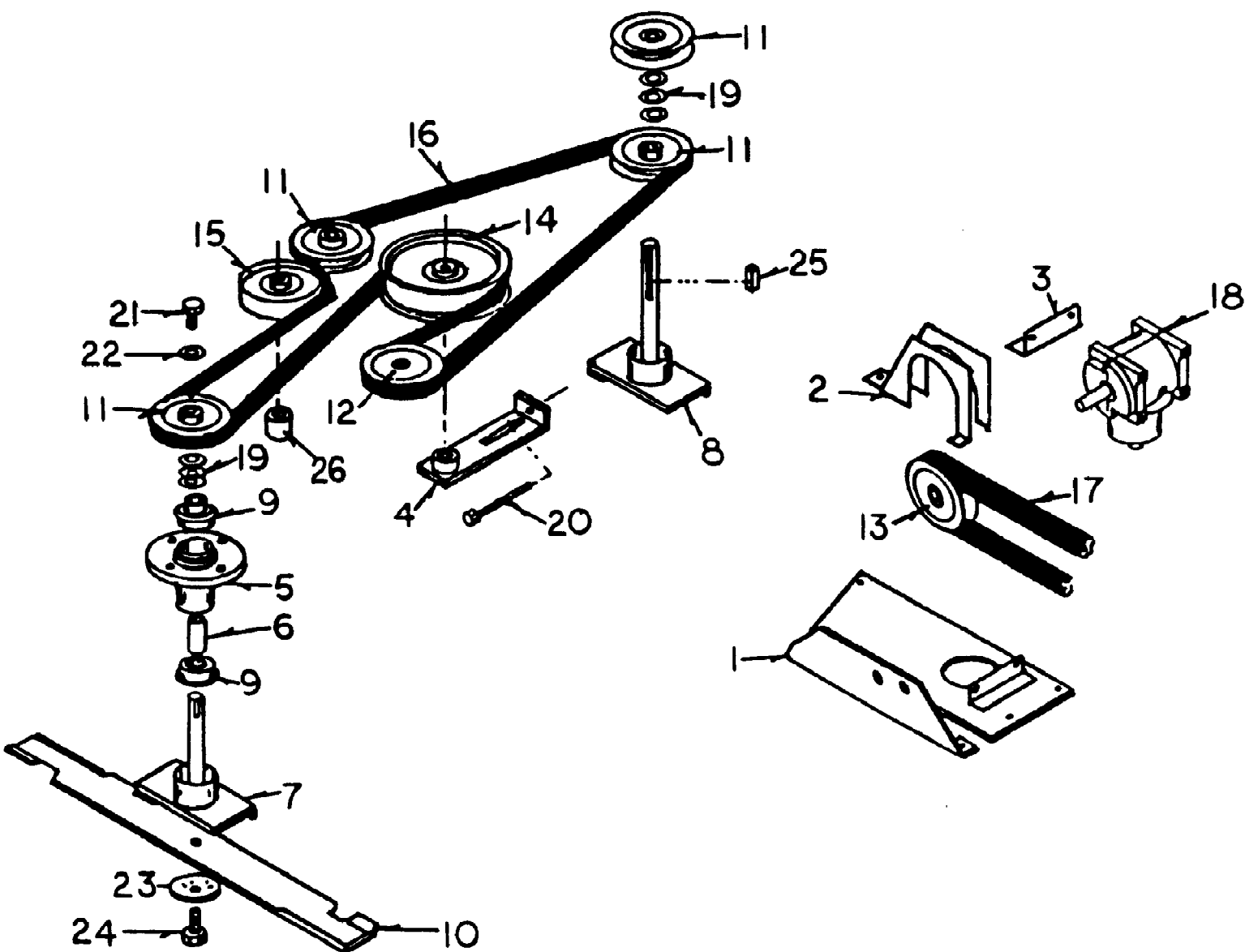
131-002-190 FR-12 (1991)
42" Deck Parts

Page 4 of 30

| Ref # | Part Number | Qty | S/P/F | Description |
|-------|-------------|-----|-------|--------------------------------|
| 1 | WD-310-0000 | 1 | | Deck |
| 2 | WD-320-0015 | 1 | | Foot Guard |
| 3 | WD-320-0016 | 1 | | Foot Guard Mount |
| 4 | WD-310-0002 | 1 | | Pulley Cover |
| 5 | WD-310-0003 | 1 | | Center Cover |
| 6 | WD-300-0001 | 1 | | Cover, LH |
| 7 | WD-310-0007 | 1 | S | Shoe, LH |
| 8 | WD-900-5559 | 1 | | Anti-scalp Roller |
| 9 | WD-300-0038 | 1 | | Shaft & Bracket |
| 10 | WD-300-0044 | 2 | S | Gauge Wheel Mount Bracket |
| 11 | WD-300-0043 | 2 | | Gauge Wheel Mount |
| 12 | WD-320-0018 | 2 | | Fork |
| 13 | WD-320-0008 | 2 | | Axle |
| 14 | WD-900-4007 | 2 | S | Cauge Wheel Assembly |
| | WD-900-3510 | 1 | S | Wheel Assembly Bearing |
| 15 | WD-900-6036 | 2 | | Hex Bolt, 1/4-20 x 4 1/2", GR5 |
| 16 | WD-900-6096 | 4 | | Wing Bolt |
| 17 | WD-900-6092 | 4 | | Handle Nut |
| 18 | WD-900-2044 | 1 | S | 10 Amp Circuit Breaker |
| 19 | WD-900-5510 | 2 | | Set Collar, 1" |
| 20 | WD-900-3501 | 4 | S | Bearing, 1" |
| 21 | WD-900-5615 | 1 | | Fas-tatch Pin |
| 22 | WD-900-5519 | 2 | | Deck Pin |
| 23 | WD-900-5520 | 2 | | Hair Pin Cotter |
| 24 | WD-310-0004 | 1 | | Deck Mount |
| 25 | WD-900-5562 | 1 | | Spring |
| 26 | WD-900-6043 | 4 | | Thumb Screw, 1/4-20 x 1/2" |

131-002-190 FR-12 (1991)
52" Deck Drive

Page 5 of 30



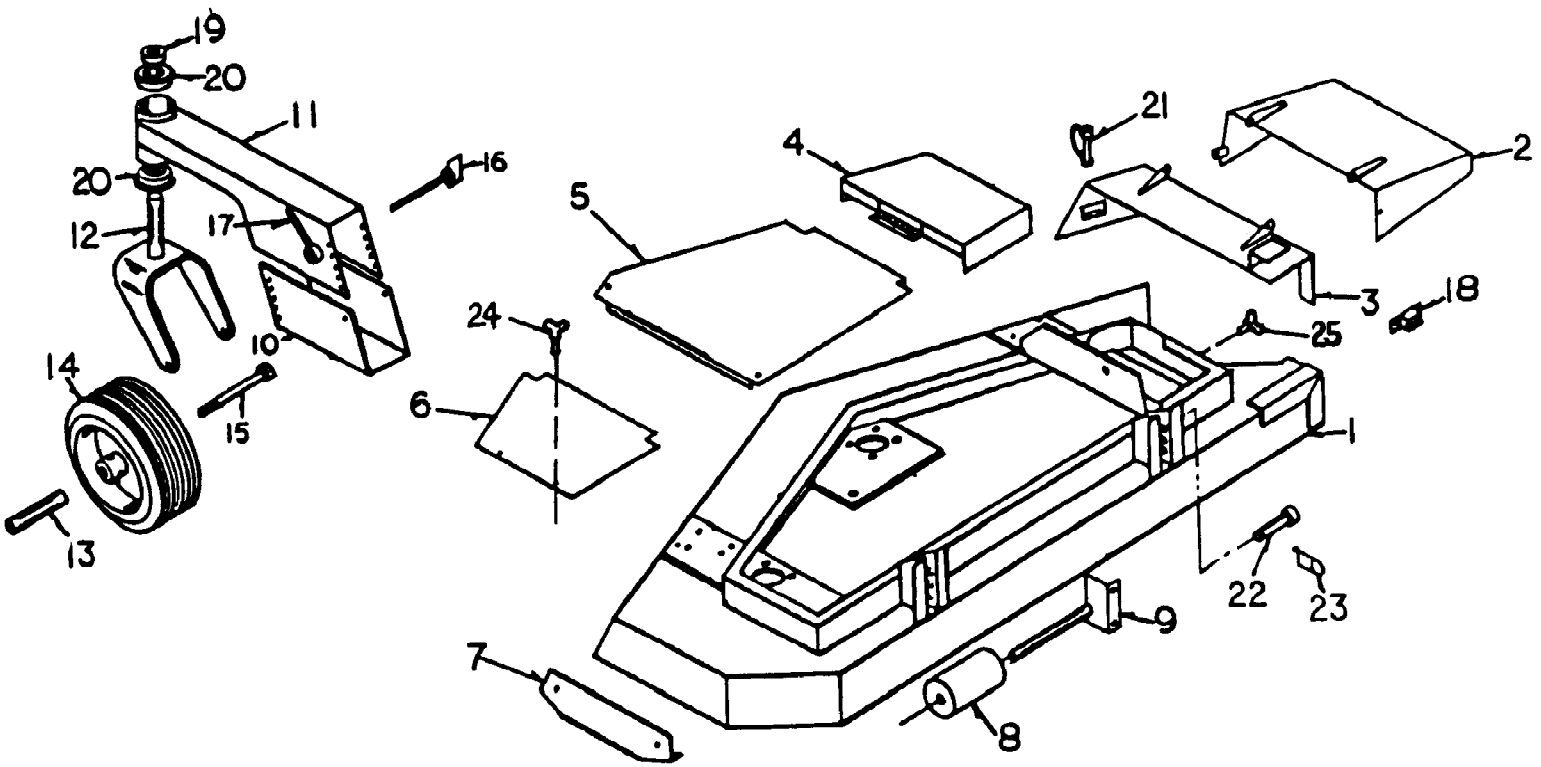
131-002-190 FR-12 (1991)
52" Deck Drive

Page 6 of 30

| Ref # | Part Number | Qty | S/P/F | Description |
|-------|--------------|-----|-------|---------------------------------------|
| 1 | WD-321-0001 | 1 | | Gearbox Mount |
| 2 | WD-311-0002 | 1 | | Belt Guard |
| 3 | WD-310-0006 | 1 | | Gearbox Mount Angle |
| 4 | WD-330-0012 | 1 | | Belt Tightener |
| 5 | WD-300-0025 | 3 | S | Spindle Housing |
| 6 | WD-300-0027 | 3 | S | Spindle Spacer |
| 7 | WD-300-0026 | 2 | S | Spindle Shaft |
| 8 | WD-300-0033 | 1 | | Spindle Shaft, Long |
| 9 | WD-900-3506 | 6 | S | Spindle Bearing |
| 10 | WD-900-5814 | 3 | S | Blade |
| 11 | WD-900-2511 | 4 | S | Spindle Pulley |
| 12 | WD-900-2510 | 1 | | Gearbox Pulley, Output |
| 13 | WD-900-2525 | 1 | S | Gearbox Pulley, Input |
| 14 | WD-900-2521 | 1 | S | Idler Pulley, Large |
| 15 | WD-900-2522 | 1 | S | Idler Pulley, Small |
| 16 | WD-900-3005B | 1 | S | Deck Belt |
| 17 | WD-900-3004 | 1 | S | Deck Drive Belt |
| 18 | WD-900-5842 | 1 | S | Gearbox |
| | WD-999-2010 | 1 | | Grease, SHC-460 |
| 19 | WD-900-6002 | 12 | S | Spacer Washer |
| 20 | WD-900-6034 | 1 | | Hex Tap Bolt, 1/4-20 x 4" |
| 21 | WD-900-6053 | 3 | S | Hex Ny-Lock Bolt, 5/16-24 x 3/4", GRS |
| 22 | WD-300-0017 | 3 | S | Washer, 5/16", 10 G |
| 23 | WD-900-5534 | 3 | S | Blade Washer |
| 24 | WD-900-6080 | 3 | S | Hex Bolt, 3/8-24 x 1 1/4", GRS |
| 25 | WD-900-7001 | 1 | S | Key, 3/16" x 1" 6 |
| 26 | WD-300-0016 | 1 | S | Spacer, Idler Pulley |

131-002-190 FR-12 (1991)
52" Deck Parts

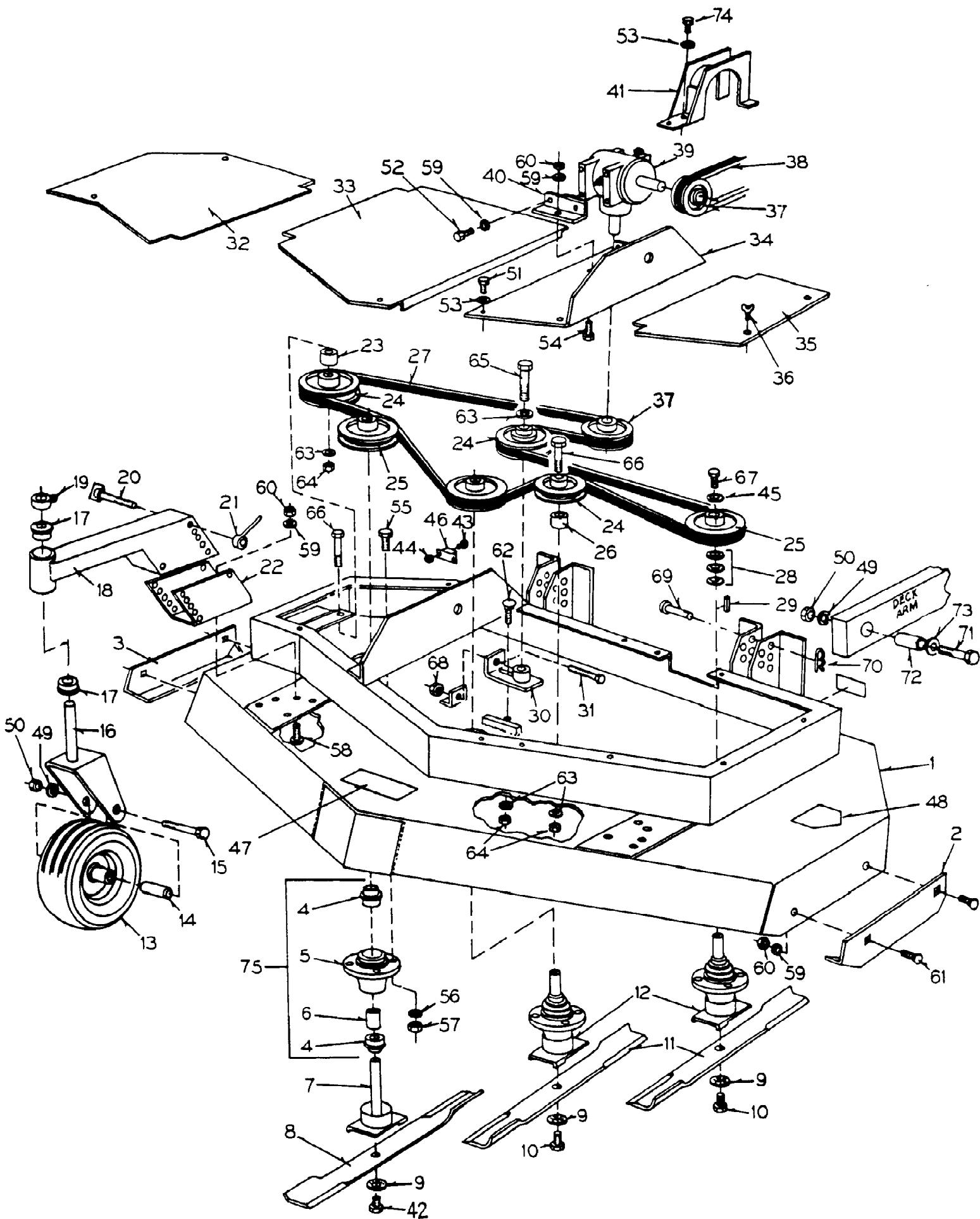
Page 7 of 30



131-002-190 FR-12 (1991)
52" Deck Parts

Page 8 of 30

| Ref # | Part Number | Qty | S/P/F | Description |
|-------|-------------|-----|-------|--------------------------------|
| 1 | WD-320-0000 | 1 | | Deck, 52" |
| 2 | WD-320-0015 | 1 | | Foot Guard |
| 3 | WD-320-0016 | 1 | | Foot Guard Mount |
| 4 | WD-320-0011 | 1 | | Pulley Cover |
| 5 | WD-320-0002 | 1 | | Center Cover |
| 6 | WD-320-0001 | 1 | | Cover, LH |
| 7 | WD-320-0014 | 1 | | Shoe, LH |
| 8 | WD-900-5559 | 1 | | Anti-scalp Roller |
| 9 | WD-300-0038 | 1 | | Shaft & Bracket |
| 10 | WD-300-0044 | 2 | S | Gauge Wheel Mount Bracket |
| 11 | WD-300-0043 | 2 | | Gauge Wheel Mount |
| 12 | WD-330-0007 | 2 | | Fork |
| 13 | WD-200-0017 | 2 | S | Axle |
| 14 | WD-900-4004 | 2 | | Gauge Wheel Assembly |
| | WD-900-4006 | 5 | | Tire, 11 x 4.00 |
| | WD-900-4005 | " | | Rim, 5 |
| | WD-900-3505 | 1 | S | Bearing, Wheel Assembly |
| 15 | WD-900-6036 | 2 | | Hex Bolt, 1/4-20 x 4 1/2", GRS |
| 16 | WD-900-6096 | 4 | | Wing Bolt |
| 17 | WD-900-6092 | 4 | | Handle Nut |
| 18 | WD-900-2044 | 1 | S | 10 Amp Circuit Breaker |
| 19 | WD-900-5510 | 2 | | Set Collar, 1" |
| 20 | WD-900-3501 | 4 | S | Bearing, 1" |
| 21 | WD-900-5615 | 1 | | Fas-tatch Pin |
| 22 | WD-900-5519 | 2 | | Deck PLn |
| 23 | WD-900-5520 | 2 | | Hair Pin Cotter |
| 24 | WD-900-6043 | 4 | | Thumb Screw, 1/4-20 x 1/2" |
| 25 | WD-900-6020 | 1 | | Wing Screw, 1/2-20 x 1" |



131-002-190 FR-12 (1991)
52" Rear Discharge Deck Parts

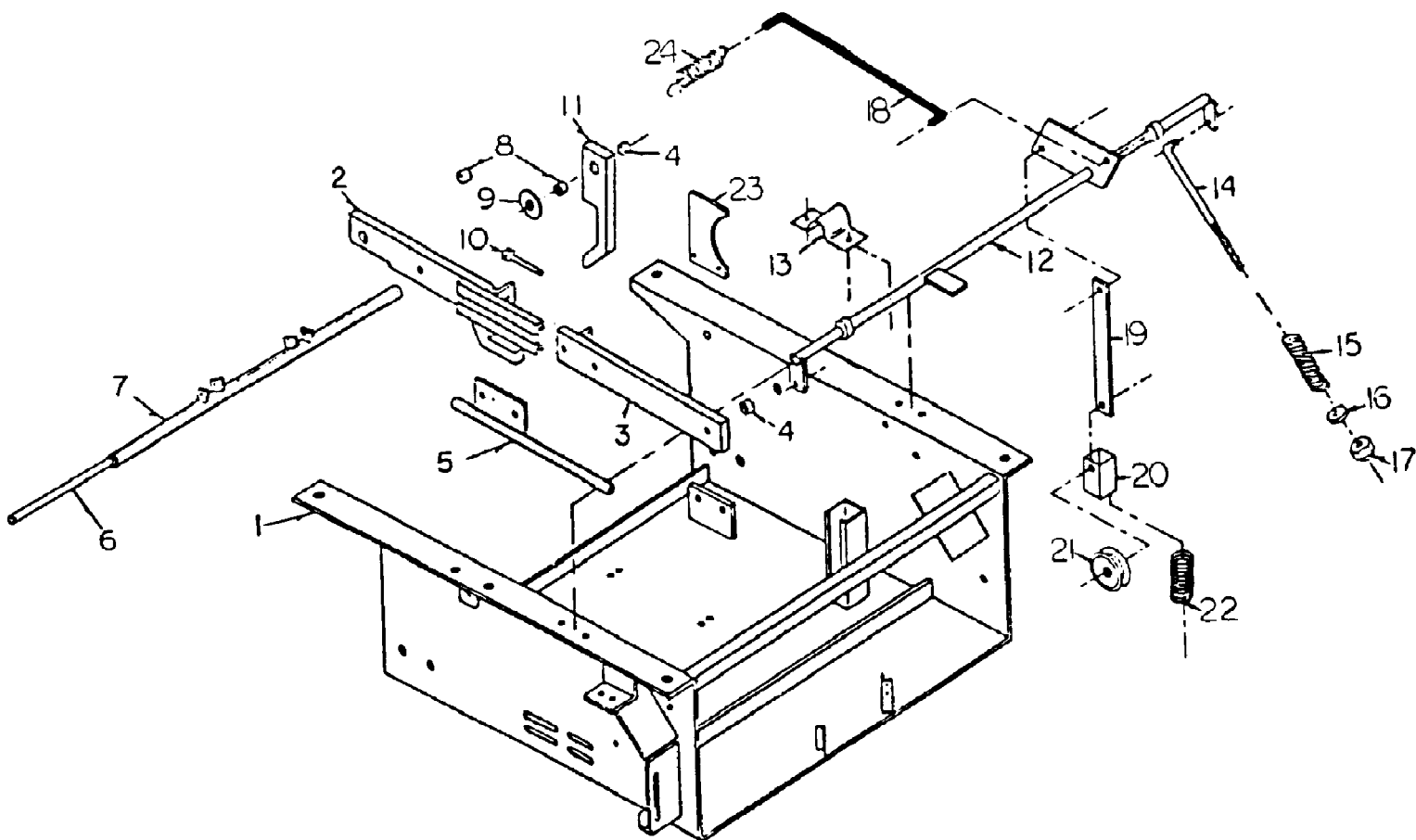
Page 10 of 30

| Ref # | Part Number | Qty | S/P/F | Description |
|-------|-------------|-----|-------|---|
| 1 | WD-321-0000 | 1 | | Rear Discharge Deck, 52" |
| 2 | WD-320-0014 | 1 | | Shoe, LH |
| 3 | WD-321-0003 | 1 | | Shoe, RH |
| 4 | WD-900-3506 | 6 | S | Spindle Bearing |
| 5 | WD-300-0025 | 3 | S | Spindle Housing |
| 6 | WD-300-0027 | 3 | S | Spindle Spacer |
| 7 | WD-321-0004 | 1 | S | Spindle Shaft, LH |
| 8 | WD-900-5814 | 1 | S | Blade, LH |
| 9 | WD-900-5534 | 3 | S | Blade Washer |
| 10 | WD-900-6080 | 2 | S | Hex Bolt, 3/8-24 x 1 1/4, GRS |
| 11 | WD-900-5814 | 2 | S | Blade, RH |
| 12 | WD-300-0026 | 2 | S | Spindle Shaft, RH |
| 13 | WD-900-4004 | 2 | | Gauge Wheel Assembly |
| | WD-900-4006 | 5 | | Tire, 11 x 4.00 |
| | WD-900-4005 | 1 | | Rim, 5" |
| | WD-900-3505 | 1 | S | Bearing, Wheel Assembly |
| 14 | WD-200-0017 | 2 | S | Axle |
| 15 | WD-900-6133 | 2 | S | Hex Bolt, 1/2-13 x 6 1/2, GR2 |
| 16 | WD-330-0007 | 2 | | Fork |
| 17 | WD-900-3501 | 4 | S | Bearing, 1" |
| 18 | WD-300-0043 | 2 | | Gauge Wheel Mount |
| 19 | WD-900-5510 | 2 | | Set Collar, 1" |
| 20 | WD-900-6096 | 4 | | Wing Bolt |
| 21 | WD-900-6092 | 4 | | Handle Nut |
| 22 | WD-300-0044 | 2 | S | Gauge Wheel Mount Bracket |
| 23 | WD-321-0005 | 1 | | Idler Spacer, RH |
| 24 | WD-900-2558 | 3 | S | Idler Pulley |
| 25 | WD-900-2557 | 3 | | Spindle Pulley |
| 26 | WD-300-0016 | 1 | S | Idler Pulley Spacer |
| 27 | WD-900-3028 | 1 | S | Deck Belt |
| 28 | WD-900-6002 | 9 | S | Spacer Washer |
| 29 | WD-300-0021 | 5 | S | Key, 3/16 x 3/16 x 1" |
| 30 | WD-300-0015 | 1 | | Belt Tightener |
| 31 | WD-900-6034 | 1 | | Hex Tap Bolt, 1/4-20 x 4" |
| 32 | WD-321-0002 | 1 | | Cover, RH |
| 33 | WD-320-0002 | 1 | | Cover, Center |
| 34 | WD-321-0001 | 1 | | Gearbox Mount |
| 35 | WD-320-0001 | 1 | | Cover, LH |
| 36 | WD-900-6043 | 6 | | Thumb Screw, 1/4-20x 1/2 |
| 37 | WD-900-2525 | 1 | S | Gearbox Pulley |
| 38 | WD-900-3004 | 1 | S | Deck Drive Belt |
| 39 | WD-900-5842 | 1 | S | Gearbox Assembly |
| 40 | WD-310-0006 | 1 | | Gearbox Mount Angle |
| 41 | WD-311-0002 | 1 | | Ben Guard |
| 42 | WD-900-6100 | 1 | S | Hex Bolt, 3/8-24 x 1 1/4, GRS, LH |
| 43 | | 2 | | Panhead Machine Screw, No. 10- 32x1/2 * |
| 44 | WD-900-6150 | 2 | | Integral Star Washer Nut, No. 10-32 |
| 45 | WD-300-0017 | 3 | S | Spindle Washer |
| 46 | WD-900-2044 | 1 | S | 10 Amp Circuit Breaker |
| 47 | WD-900-5542 | 1 | | Decal, Caution-Whirling Blade |
| 48 | WD-900-5549 | 1 | | Decal, Danger |
| 49 | | 4 | | Lockwasher, 1/2" * |
| 50 | | | | www.mymowerparts.com * |

131-002-190 FR-12 (1991)
52" Rear Discharge Deck Parts

Page 11 of 30

| Ref # | Part Number | Qty | S/P/F | Description |
|-------|-------------|-----|-------|---|
| 51 | | 5 | | Hex Capscrew, 114-20 x 3/4, GR5 * |
| 52 | | 4 | | Hex Capscrew, 5/16-18 x 1, GR5 * |
| 53 | | 7 | | Lockwasher, 1/4 * |
| 54 | | 1 | | Hex Capscrew, 5/16-18 x 3/4, GR5* |
| 55 | | 12 | | Hex Capscrew, 7/16-14 x 1 1/4, GRS * |
| 56 | | 12 | | Lockwasher, 7/16 * |
| 57 | | 12 | | Hex Nut, 7/16-14* |
| 58 | | 6 | | Carriage Bolt, 5/16-18 x 1, GRS * |
| 59 | | 10 | | Lockwasher, 5/16 * |
| 60 | | 10 | | Hex Nut, 5/16 * |
| 61 | | 4 | | Carriage Bolt, 5/16-18 x 3/4 * |
| 62 | | 1 | | Carriage Bolt, 3/8-16x 1 * |
| 63 | | 4 | | Lockwasher, 3/8 * |
| 64 | | 3 | | Hex Nut, 3/8-16* |
| 65 | | 1 | | Hex Capscrew, 3/8-16 x 1 1/4 GR5* |
| 66 | | 2 | | HexCapscrew,3/8-16x21/2 GR5* |
| 67 | WD-900-6053 | 3 | S | Hex Capscrew, 5/16-24 x 3/4, GRS |
| 68 | | 1 | | Elastic Stop Nut, 1/4-20 * |
| 69 | WD-900-5519 | 2 | | Clevis Pin, 1/2x 1 1/2 |
| 70 | WD-900-5520 | 2 | | Hairpin Cotter, .120 x 21/4 |
| 71 | | 2 | | Hex Capscrew, 1/2-13 x 1 1/2 GR5 * |
| 72 | WD-300-0013 | 2 | S | Bushing, Deck Lift Arm |
| 73 | | 2 | | Flatwasher, 1/2 * |
| 74 | | 2 | | Hex Capscrew, 1/4-20 x 1/2, GR5 * |
| 75 | WD-600-0000 | 3 | S | Spindle Housing Assembly (Includes Items 4,5,6) |



131-002-190 FR-12 (1991)
Base Assembly

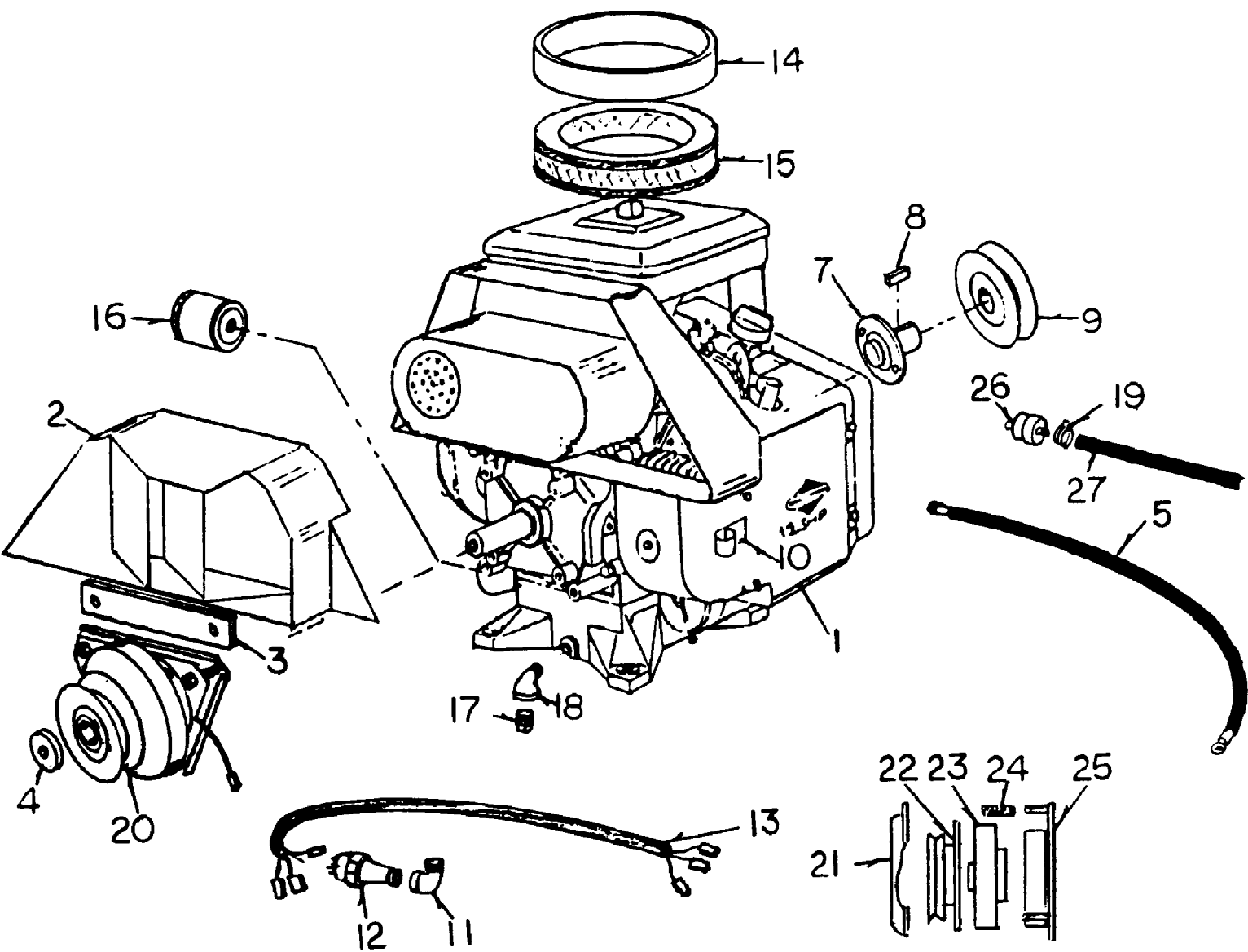
Page 13 of 30

| Ref # | Part Number | Qty | S/P/F | Description |
|-------|-------------|-----|-------|-----------------------------------|
| 1 | WD-111-0000 | 1 | | Base |
| 2 | WD-300-0023 | 1 | | RH Deck Lift Arm, Front RH |
| | WD-300-0023 | 1 | | LH Deck Lift Arm, Front LH |
| 3 | WD-301-0024 | 1 | | Deck Lift Arm, Back |
| | WD-301-0024 | 1 | | LH Deck Lift Arm, Back LH |
| 4 | WD-300-0013 | 3 | S | Bushing, Short |
| 5 | WD-300-0041 | 1 | | Wire Tube |
| 6 | WD-300-0022 | 1 | | Cross Bar Pin |
| 7 | WD-300-0014 | 1 | | Cross Bar |
| 8 | WD-300-0012 | 3 | | Bushing, Long |
| 9 | WD-200-0015 | 1 | | Body Mount Washer |
| 10 | WD-900-6088 | 2 | | Tap Bolt, 3/8-16 x 3", GRS |
| 11 | WD-111-0023 | 1 | | Forward Nose Down Lock |
| 12 | WD-111-0037 | 1 | | Brake Clutch Cross Rod |
| 13 | WD-111-0004 | 2 | S | Bearing, Brake Cross Rod |
| 14 | WD-111-0007 | 2 | | Caliper Rod |
| 15 | WD-900-5568 | 2 | | Caliper Spring |
| 16 | WD-900-6029 | 2 | | Flatwasher, 1/4" |
| 17 | WD-900-6027 | 2 | | Elastic Stop Nut, 1/4-20 |
| 18 | WD-113-0006 | 1 | | Brake Pedal Rod |
| 19 | WD-113-0012 | 1 | | Cross Rod to Idler Pulley Linkage |
| 20 | WD-111-0019 | 1 | | Spring Loaded Idler Mount |
| 21 | WD-900-2501 | 1 | S | Idler Pulley |
| 22 | WD-900-5580 | 1 | | Spring |
| 23 | WD-111-0012 | 1 | | Belt Retainer |
| 24 | WD-900-5501 | 1 | | Brake Pedal Spring |

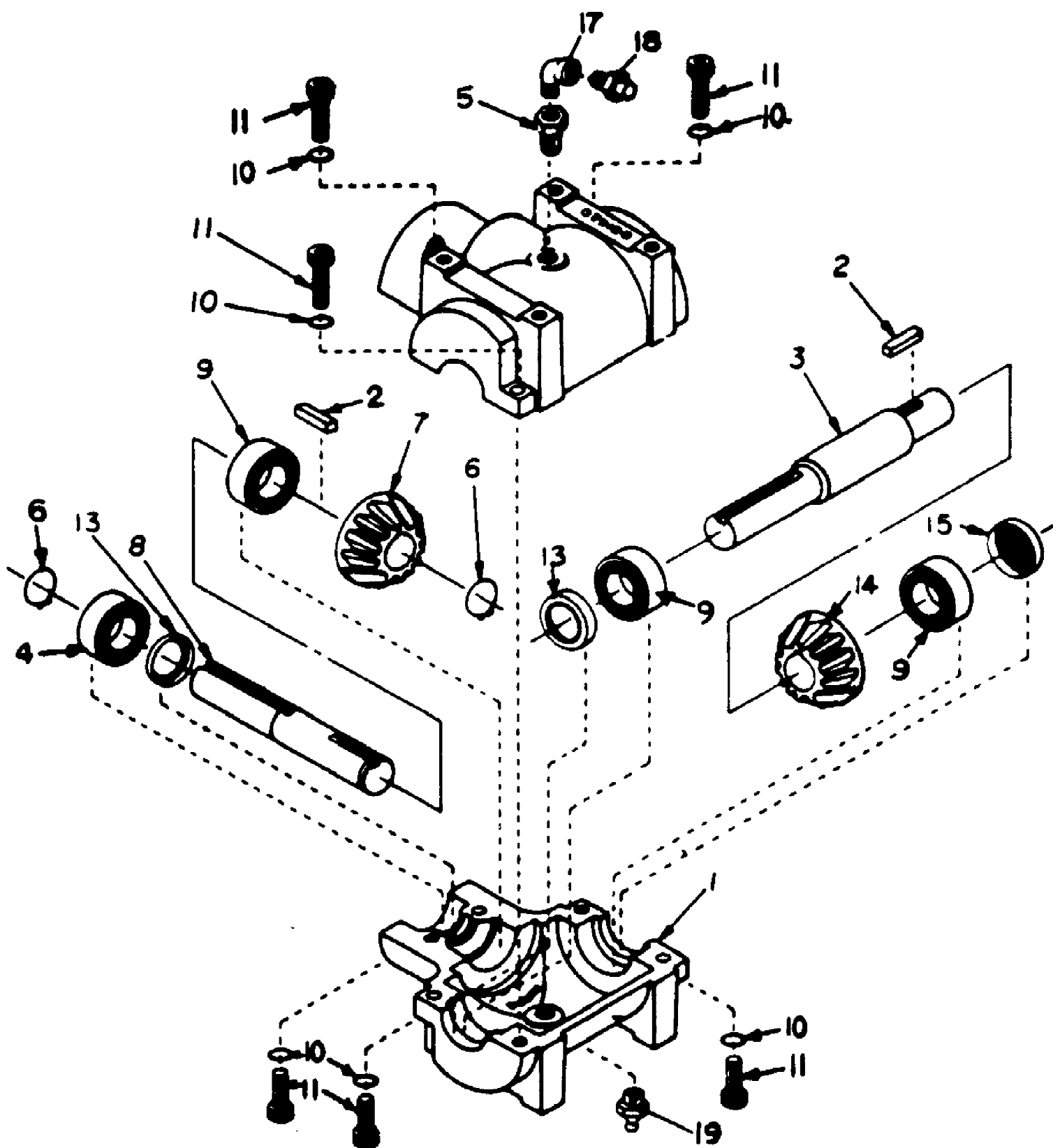
131-002-190 FR-12 (1991)
Body Assembly

Page 15 of 30

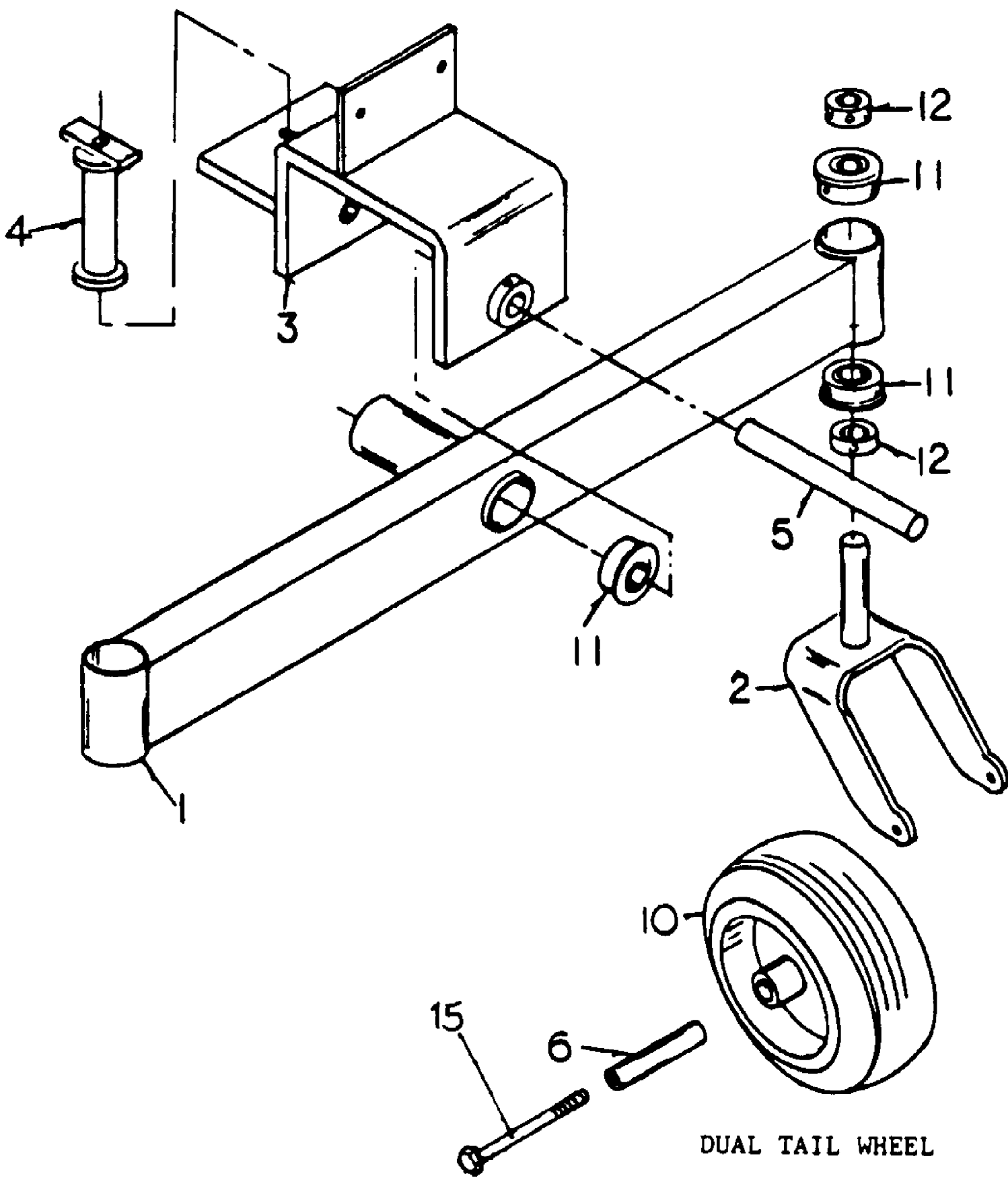
| Ref # | Part Number | Qty | S/P/F | Description |
|-------|-------------|-----|-------|------------------------|
| 1 | WD-201-0000 | 1 | | Body |
| 2 | WD-201-0016 | 1 | | Fender, LH (Shown) |
| | WD-201-0017 | 1 | | Fender, RH |
| 3 | WD-201-0009 | 1 | | Back Cover |
| 4 | WD-200-0007 | 1 | | Guard Rail |
| 5 | WD-900-3501 | 2 | S | Bearing |
| 6 | WD-201-0006 | 1 | S | Dash Board |
| 7 | WD-200-0019 | 1 | | Hold Down, Battery |
| 8 | WD-200-0021 | 1 | | Battery Post Protector |
| 9 | WD-230-0002 | 1 | | Tall Weight (Optional) |
| 10 | WD-900-5513 | 1 | | Shutoff Valve, Fuel |
| 11 | WD-900-5706 | 1 | | Nipple, 1/8" x Close |
| 12 | WD-900-5533 | 1 | | Fuel Tank |
| 13 | WD-900-5561 | 1 | S | Fuel Tank Cap w/Gauge |
| 14 | WD-900-2005 | 1 | | Solenoid |
| 15 | WD-900-2037 | 1 | S | Relay |
| 16 | WD-900-5516 | 2 | | Deck Spring |
| 17 | WD-900-5518 | 2 | S | Deck Lift Cable |
| 18 | WD-900-2014 | 2 | | Light ssembly |
| 19 | WD-900-2024 | 1 | S | Lens |
| 20 | WD-900-2068 | 1 | | Gasket |
| 21 | WD-900-2025 | 1 | S | Bulb |
| 22 | WD-900-2026 | 1 | | Lamp |
| 23 | WD-900-2060 | 1 | | Battery |
| 24 | WD-900-5522 | 1 | | Dzus Fastener |
| 25 | WD-900-5509 | 8 | | Rubber Body Mount |
| 26 | WD-200-0015 | 4 | | Body Mount Washer |
| 27 | WD-900-5508 | 1 | | Choke Cable |
| 28 | WD-900-5605 | 1 | S | Throttle Cable |
| 29 | WD-900-2002 | 1 | | Amp Meter |
| 30 | WD-900-2023 | 1 | S | Hour Meter |
| 31 | WD-900-2003 | 1 | S | Ignition Swltch |
| 32 | WD-900-2027 | 1 | S | Light Swltch |
| 33 | WD-900-2028 | 1 | S | Clutch Swltch |
| 34 | WD-900-2041 | 1 | | Oil Light |
| 35 | WD-900-5563 | 1 | S | Brake Pedal Pad |
| 36 | WD-900-5562 | 1 | | Spring |



| Ref # | Part Number | Qty | S/P/F | Description |
|-------|-------------|-----|-------|---------------------------------|
| 1 | | 1 | | Briggs & Stratton Twin, 12.5 HP |
| 2 | WD-111-0001 | 1 | | Air Duct |
| 3 | WD-113-0010 | 2 | S | Clutch Stop |
| 4 | WD-900-5575 | 1 | | Clutch Retainer Washer |
| 5 | WD-900-2010 | 1 | | Starter Cable |
| 7 | WD-100-0013 | 1 | S | Stub Shaft |
| 8 | WD-100-0014 | 1 | S | Key, 1/4" x 1/4" x 1" |
| 9 | WD-900-2503 | 1 | S | Pulley |
| 10 | WD-100-0021 | 1 | | Starter Cable Retainer |
| 11 | WD-900-5020 | 1 | | Street Elbow, 1/8" x 90° |
| 12 | WD-900-5017 | 1 | S | Oil Sending Unit |
| 13 | WD-900-2067 | 1 | | Wire Harness (Oil Sending Unit) |
| 14 | WD-900-5008 | 1 | S | Precleaner |
| 15 | WD-900-5005 | 1 | S | Air Cleaner Cartridge |
| 16 | WD-900-5022 | 1 | S | Oil Filter |
| 17 | WD-900-8024 | 1 | | Plug, 3/8" |
| 18 | WD-900-5604 | 1 | | Street Elbow, 3/8" |
| 19 | WD-900-5525 | 4 | S | Fuel Line Clamp |
| 20 | WD-900-5581 | 1 | S | Clutch (Complete) |
| 21 | WD-900-5582 | 1 | | Clutch Brake |
| 22 | WD-900-5583 | 1 | | Clutch Armature |
| 23 | WD-900-5584 | 1 | S | Clutch Rotor |
| 24 | WD-900-5586 | 1 | | Spring & Nut Set (3 Ea.) |
| 25 | WD-900-5585 | 1 | S | Clutch Coil |
| 26 | WD-900-5514 | 1 | S | Fuel Filter |
| 27 | WD-900-5515 | 1 | | Fuel Line |



| Ref # | Part Number | Qty | S/P/F | Description |
|-------|-------------|-----|-------|--------------------------|
| 1 | WD-900-7036 | 2 | | Housing Half |
| 2 | WD-900-7001 | 2 | S | Key, 3/16" x 3/16" x 1" |
| 3 | WD-900-7037 | 2 | | Shaft |
| 4 | WD-900-7008 | 1 | S | Ball Bearing |
| 5 | WD-15001 | 1 | | Pipe Bushing 1/4" x 1/8" |
| 6 | WD-900-700S | 2 | | Retaining Ring |
| 7 | WD-900-7038 | 1 | | Output Shaft Gear |
| 8 | WD-900-7044 | 1 | S | Shaft |
| 9 | WD-900-7041 | 3 | S | Ball Bearing |
| 10 | WD-900-7009 | 6 | | Lockwasher |
| 11 | WD-900-7010 | 6 | | Allenhead Capscrew |
| 13 | WD-900-7042 | 2 | S | Seal |
| 14 | WD-900-7040 | 1 | | Input Shift Gear |
| 15 | WD-900-7043 | 1 | S | Expansion Plug L |
| | WD-900-5535 | 1 | S | Gearbox |
| 17 | WD-900-5020 | 1 | | Street Elbow, 1/8" x 90° |
| 18 | WD-900-7004 | 1 | S | Relieve Valve |
| | WD-900-7053 | 1 | S | Grease Zerk, 1/4" NPT |
| 19 | WD-999-2010 | 1 | | Grease, SHC-460 |



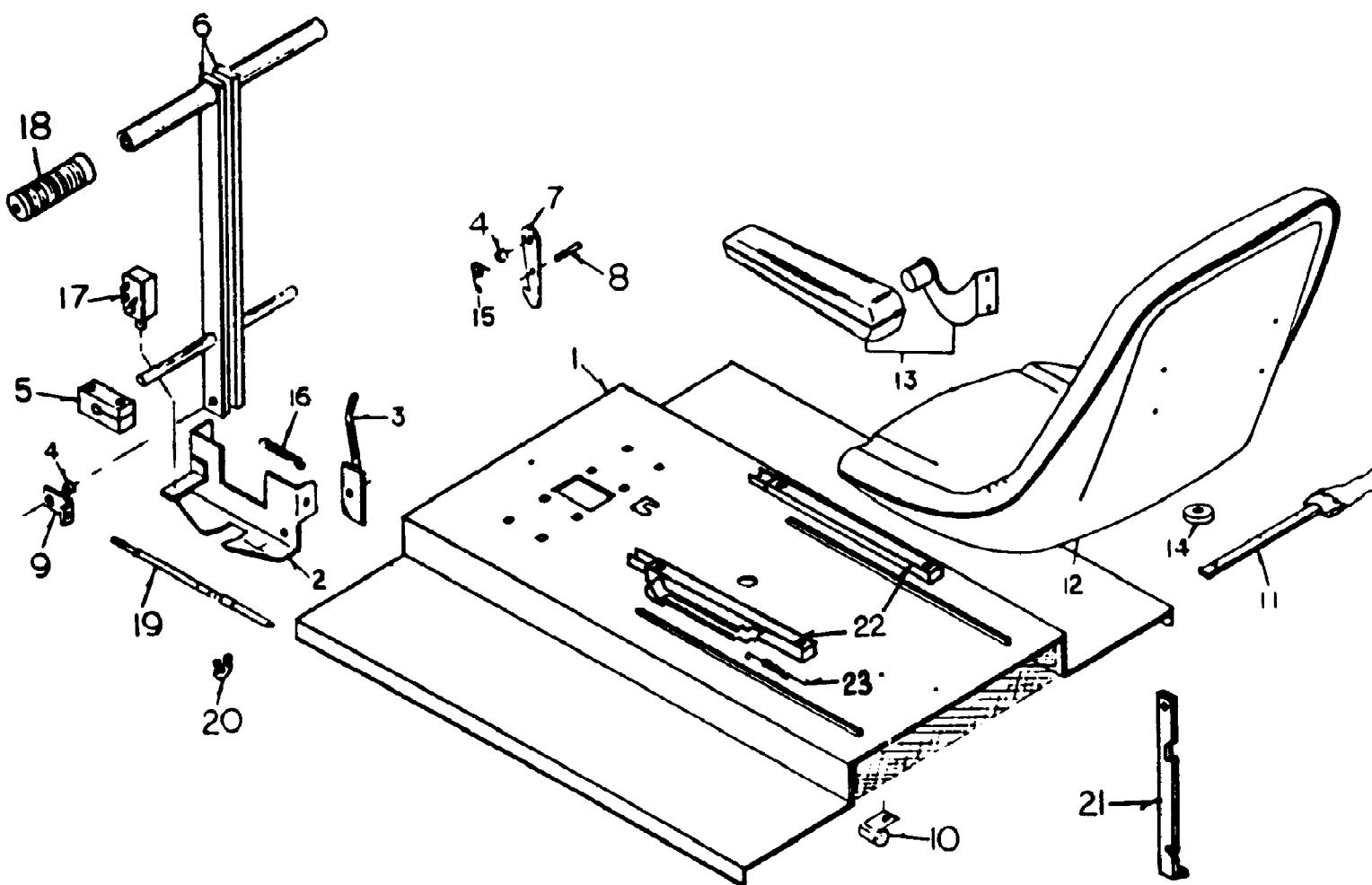
131-002-190 FR-12 (1991)
Dual Tail Wheel Assembly

Page 21 of 30

| Ref # | Part Number | Qty | S/P/F | Description |
|-------|-------------|-----|-------|-------------------------------|
| 1 | WD-230-0004 | 1 | | Dual Tail Wheel Axle |
| 2 | WD-230-0007 | 2 | | Dual Tail Wheel Fork |
| 3 | WD-230-0005 | 1 | | Dual Tail Wheel Mounse |
| 4 | WD-230-0006 | 1 | | Dual Tail Wheel Tube Block |
| 5 | WD-230-0008 | 1 | | Pivot Axle |
| 6 | WD-200-0017 | 2 | S | Tail Wheel Axle |
| 10 | WD-900-4022 | 2 | S | Tail Wheel Assembly |
| | WD-900-3505 | 1 | S | Bearing, Wheel Assembly |
| | WD-900-4047 | 1 | | Tire, 13 x 5.00-6 |
| | WD-900-4050 | 1 | | Rim, 6" x 4" |
| 11 | WD-900-3501 | 6 | S | Bearing 1" |
| 12 | WD-900-5510 | 4 | | Set Collar, 1" |
| 15 | WD-900-6133 | 2 | S | Hex Capscrew, 1/2-13 x 6 1/2" |

131-002-190 FR-12 (1991)
Seat Lid Assembly

Page 22 of 30

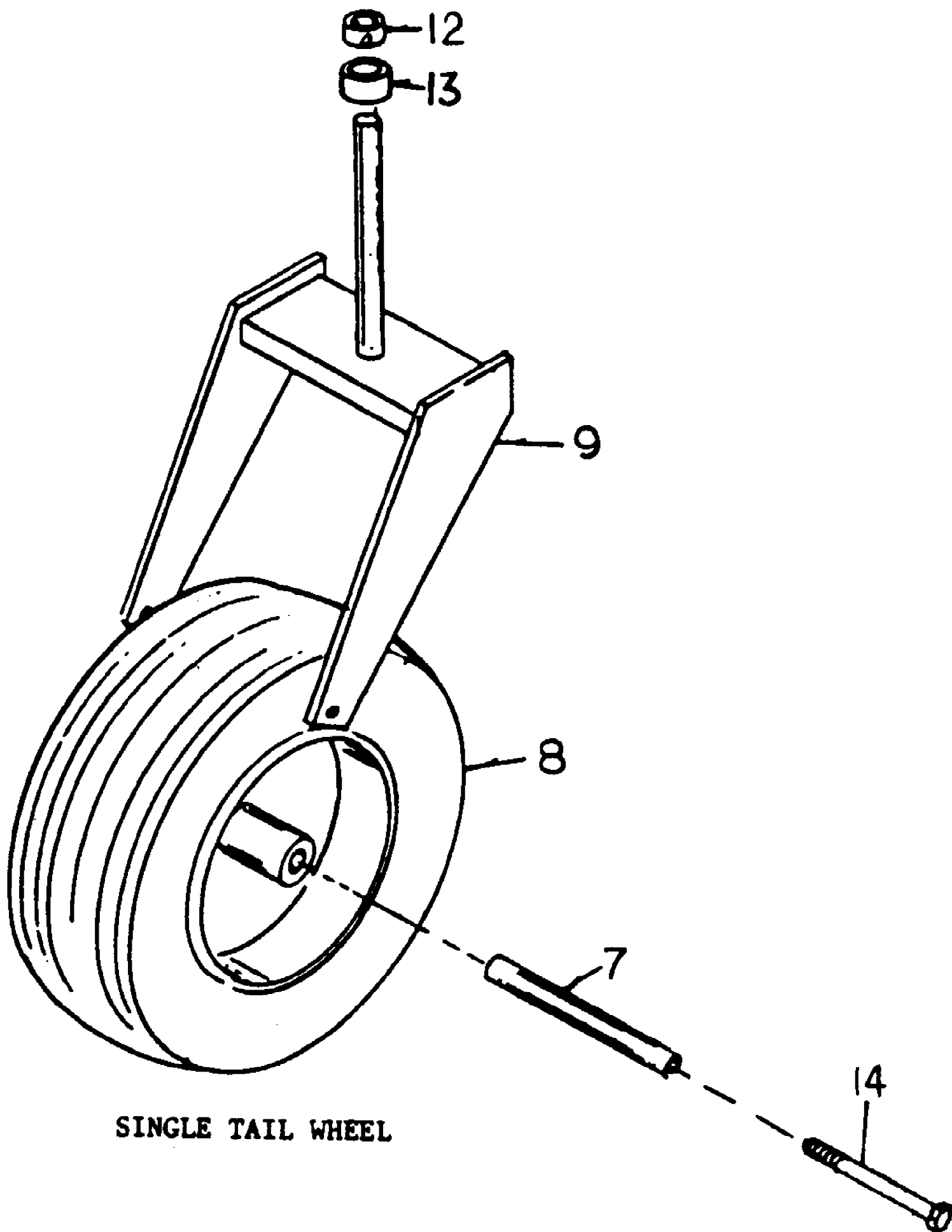


131-002-190 FR-12 (1991)
Seat Lid Assembly

Page 23 of 30

| Ref # | Part Number | Qty | S/P/F | Description |
|-------|-------------|-----|-------|---------------------------|
| 1 | WD-201-0004 | 1 | | Seat Lid |
| 2 | WD-201-0010 | 1 | | Lever Lock |
| 3 | WD-200-0012 | 1 | | Latch, Lever Lock |
| 4 | WD-200-0014 | 5 | S | Bushing |
| 5 | WD-200-0010 | 4 | | Bearing Block |
| 6 | WD-200-0009 | 2 | | Steering Lever |
| 7 | WD-201-0015 | 1 | | Seat Lid Latch |
| 8 | WD-201-0014 | 1 | | Seat Lid Latch Bolt |
| 9 | WD-200-0018 | 4 | | Steering Cable End |
| 10 | WD-201-0018 | 1 | | Seat Lid Harness Retainer |
| 11 | WD-900-2001 | 1 | | Seat Switch |
| 12 | WD-900-5597 | 1 | | Seat |
| 13 | | 1 | | Arm Rest Kit (Optional) |
| 14 | WD-900-5523 | 4 | | Seat Spacer |
| 15 | WD-900-5700 | 1 | | Seat Lid Latch Spring |
| 16 | WD-900-5501 | 1 | | Lever Lock Spring |
| 17 | WD-900-2029 | 1 | S | Safety Switch |
| 18 | WD-900-5500 | 2 | S | Handle Grip |
| 19 | WD-900-5502 | 2 | S | Steering Cable |
| 20 | WD-900-5503 | 4 | S | Steering Cable Clamp |
| 21 | WD-200-0008 | 1 | | Lid Prop |
| 22 | WD-900-5813 | 1 | | Seat Rail Kit (Pair) |
| 23 | WD-900-5767 | 1 | | Seat Spring |

131-002-190 FR-12 (1991)
Single Tail Wheel Assy

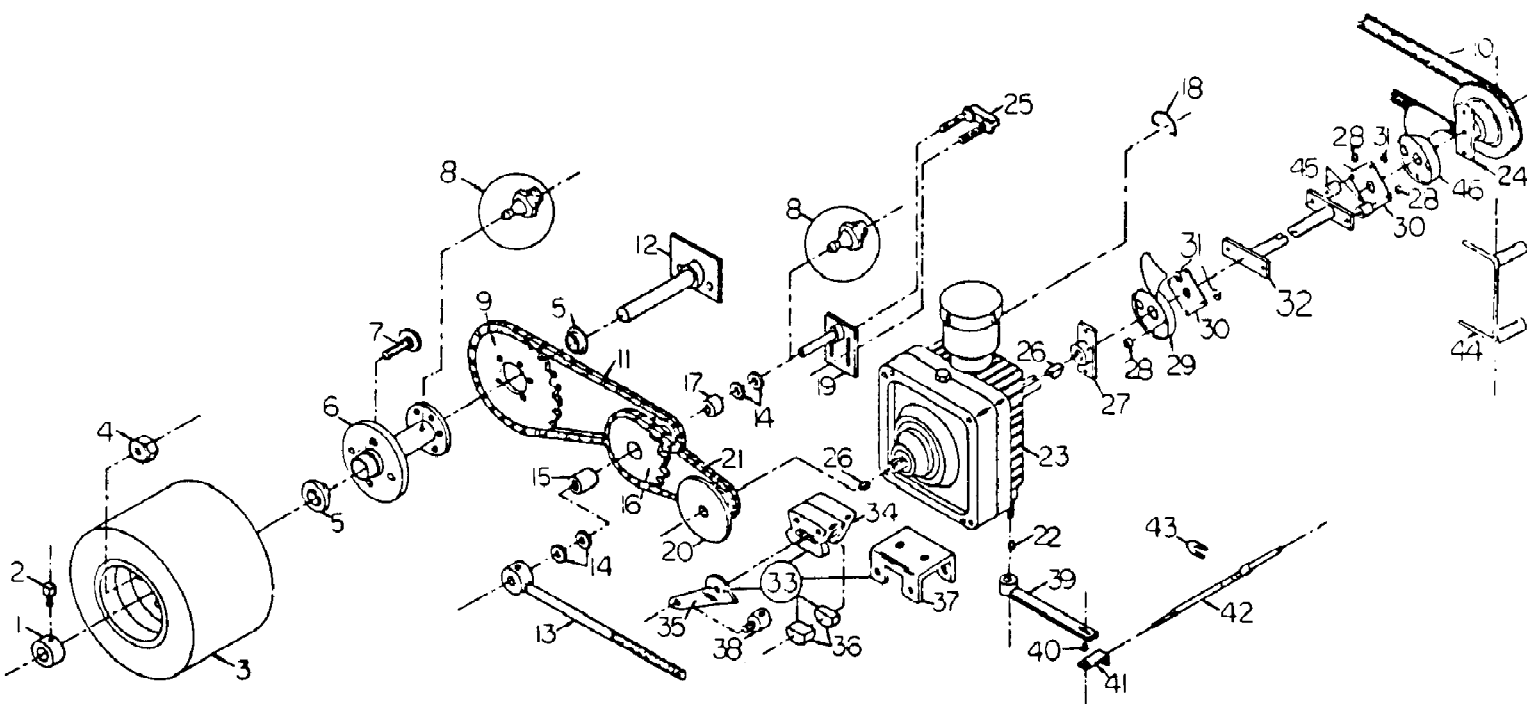


SINGLE TAIL WHEEL

131-002-190 FR-12 (1991)
Single Tail Wheel Assy

Page 25 of 30

| Ref # | Part Number | Qty | S/P/F | Description |
|-------|--------------|-----|-------|-------------------------------|
| 7 | WD-230-0017A | 1 | | Axle |
| 8 | WD-900-4014 | 1 | | Tail Wheel Assembly |
| | WD-900-3505 | 1 | S | Bearing, Wheel Assembly |
| | WD-900-4015 | 1 | | Tire, 15 x 6 . 00-8 |
| | WD-900-4016 | 1 | | Rim, 6" x 4.5 |
| 9 | WD-210-0001 | 1 | | Tail Wheel Fork |
| 12 | WD-900-5510 | 1 | | Set Collar, 1" |
| 13 | WD-213-0003 | 1 | | Spacer, Tail Wheel Fork |
| 14 | WD-900-6134 | 1 | | Hex Capscrew, 1/2-13 x 8 1/2" |

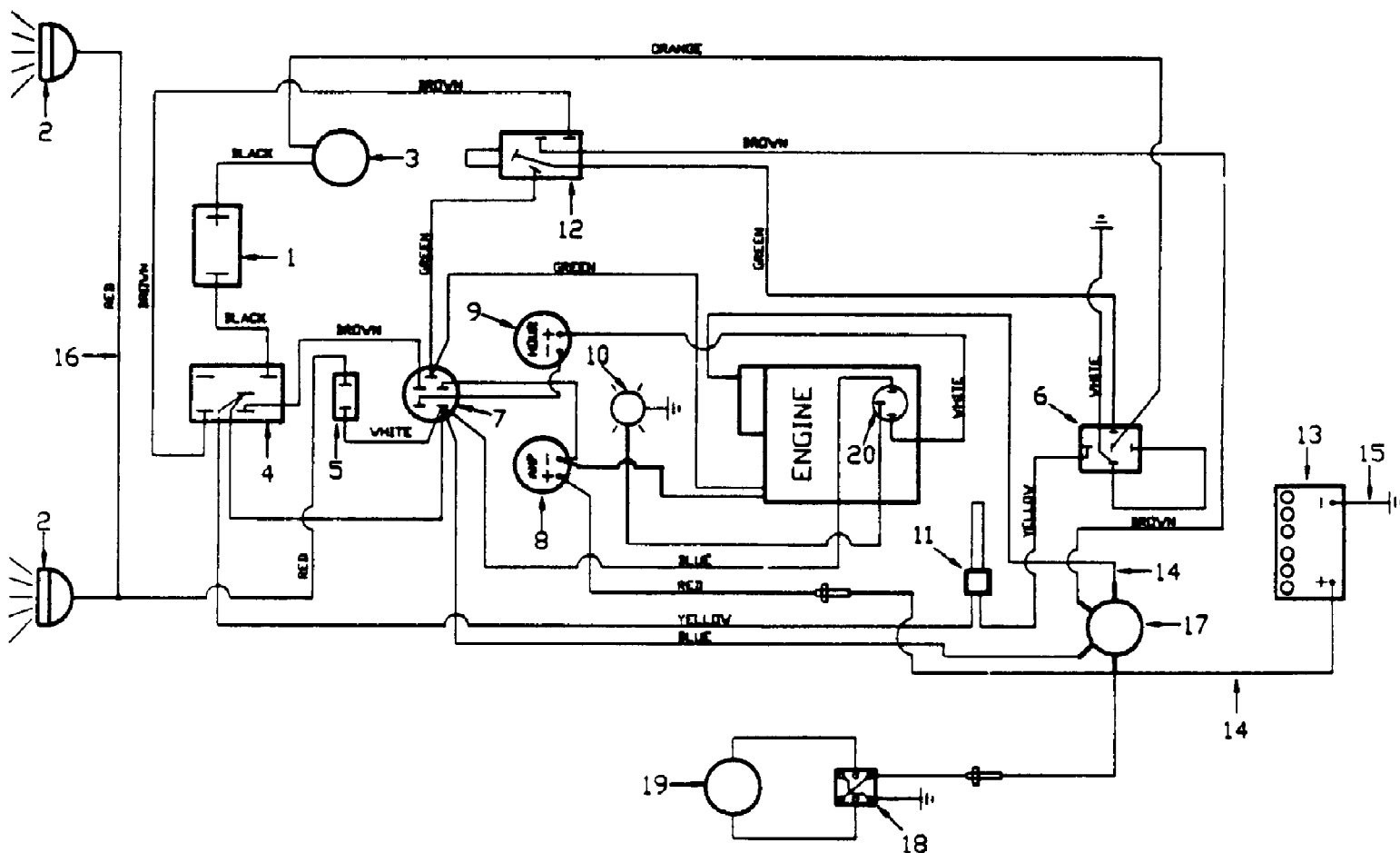


| Ref # | Part Number | Qty | S/P/F | Description |
|-------|--------------|-----|-------|---|
| 1 | WD-900-5510 | 2 | | Set Collar, 1" |
| 2 | WD-900-6058 | 2 | | Squarehead Setscrew, 5/16-18 x 1/2" |
| 3 | WD-900-4012 | 2 | | Drive Wheel Ass'y., 16 x 7.50-8 |
| | WD-900-4021 | 1 | | Drive Tire, 16 x 7.50-8 |
| | WD-900-4003 | 1 | | Rim, 8" x 5 1/2" |
| 4 | WD-900-6138 | 8 | | Lug Nut, 1/2-20 |
| 5 | WD-900-3501 | 4 | S | Drive Wheel Bearing |
| 6 | WD-900-4009 | 2 | | Drive Wheel Hub |
| | WD-600-0006 | 1 | | Wheel Hub Ass'y., Regular (Includes Items 5, 6, 7, 8 & 9) |
| 7 | WD-900-6137 | 8 | | Lug Bolt, 1/2-20 x 1 1/4" |
| 8 | WD-900-5619 | 4 | | Self-tapping Zerk, 1/4-28 |
| 9 | WD-901-1502 | 2 | S | Final Drive Sprocket, 40A 54 |
| 10 | WD-900-3011 | 1 | S | Transmission Belt |
| 11 | WD-900-1000 | 2 | S | Final Drive Chain |
| 12 | WD-100-0001 | 2 | | Drive Wheel Axle |
| 13 | WD-100-0017 | 2 | S | Support Collar |
| 14 | WD-900-6003 | 8 | | Machine Washer, 3/4", 10 GA |
| 15 | WD-900-3500 | 2 | S | Idler Sprocket Bearing, 1/2" |
| 16 | WD-901-1501 | 2 | S | Idler Sprocket |
| | WD-901-1501A | 1 | S | Idler Sprocket w/Bearings |
| 17 | WD-900-3502 | 2 | | Idler Sprocket Bearing, 3/4" |
| 18 | WD-900-4510 | 2 | | Transmission Dump Valve Clip |
| 19 | WD-100-0002 | 2 | S | Idler Sprocket Shaft |
| 20 | WD-901-1505 | 2 | S | Transmission Sprocket w/Brake Disc |
| 21 | WD-900-1001 | 2 | | Primary Drive Chain |
| 22 | WD-900-4524 | 2 | | Woodruff Key, 1/8" x 3/8" |
| 23 | WD-900-4504 | 1 | S | Transmission, LH (Shown) |
| | WD-900-4505 | 1 | | Transmission, RH |
| | WD-900-4523 | 1 | | Transmission Diaphragm |
| | WD-900-4528 | 6 | S | Seal Kit, Model |
| | WD-900-4529 | 6 | | Trans. ReservoLr Kit, Model |
| 24 | WD-900-4521 | 1 | S | Pulley w/Drive Plate |
| 25 | WD-100-0016 | 2 | | Bolt Bar |
| 26 | WD-900-4508 | 4 | S | Woodruff Key, 1/8" x 1/2" |
| 27 | WD-900-4522 | 1 | | Hub w/Drive Plate |
| 28 | WD-111-0025 | 4 | | Bolt Spacer |
| 29 | WD-900-4520 | 1 | | Fan, ccw |
| 30 | WD-111-0021 | 2 | S | Drive Plate |
| 31 | WD-900-6161 | 6 | | Washer, 1/4", 10 GA |
| 32 | WD-111-0018 | 1 | | Cross Shaft |
| 33 | WD-900-5690 | 1 | | Brake Assembly, LH |
| | WD-900-5691 | 1 | | Brake Assembly, RH |
| 34 | WD-900-5564 | 1 | | Brake Caliper |
| 35 | WD-900-5565 | 1 | | Caliper Lever, LH |
| | WD-900-5566 | 1 | | Caliper Lever, RH |
| 36 | WD-900-5567 | 1 | S | Brake Pad (Set) |
| 37 | WD-900-5588 | 1 | | Caliper Bracket |
| 38 | WD-111-0014 | 2 | | Caliper Rod Collar |
| 39 | WD-900-4506 | 1 | | Transmission Arm, LH |
| | WD-900-4507 | 1 | | Transmission Arm, RH |
| 40 | WD-200-0014 | 2 | S | Cable End Bushing |

131-002-190 FR-12 (1991)
Transmission & Chain Drives

Page 28 of 30

| Ref # | Part Number | Qty | S/P/F | Description |
|-------|-------------|-----|-------|----------------------------|
| 41 | WD-200-0013 | 2 | S | Steering Cable End |
| 42 | WD-900-5502 | 2 | S | Steering Cable |
| 43 | WD-900-5503 | 2 | S | Steering Cable Clamp |
| 44 | WD-111-0003 | 1 | | Transmission Belt Retainer |
| 45 | WD-111-0022 | 2 | | Spacer |
| 46 | WD-900-4519 | 1 | S | Fan, cw |



| Ref # | Part Number | Qty | S/P/F | Description |
|-------|-------------|-----|-------|-----------------------------|
| 1 | WD-900-2044 | 1 | S | 10 Amp Circuit Breaker |
| 2 | WD-900-2014 | 2 | | Headlight Assembly |
| | WD-900-2024 | 1 | S | Len |
| | WD-900-2025 | 1 | S | Bulb |
| | WD-900-2060 | 1 | | Lamp |
| | WD-900-2068 | 1 | | Headlight Gasket |
| 3 | WD-900-5581 | 1 | S | Electric Clutch Assembly |
| 4 | WD-900-2028 | 1 | S | PTO Clutch Switch |
| 5 | WD-900-2027 | 1 | S | Light Switch |
| 6 | WD-900-2037 | 1 | S | Relay |
| 7 | WD-900-2003 | 1 | S | Ignition Switch |
| 8 | WD-900-2002 | 1 | | Amp Gauge |
| 9 | WD-900-2023 | 1 | S | Hour Meter |
| 10 | WD-900-2041 | 1 | | Oil Light |
| 11 | WD-900-2001 | 1 | | Seat Switch |
| 12 | WD-900-2029 | 1 | S | Safety Switch |
| 13 | WD-900-2060 | 1 | | Battery |
| 14 | WD-900-2010 | 2 | | Starter Wire |
| 15 | WD-900-2009 | 1 | | Ground Wire |
| 16 | WD-900-2032 | 1 | | Light to Switch Wire |
| 17 | WD-900-2005 | 1 | | Solenoid |
| 18 | WD-900-2020 | 1 | | 3 Position Deck Lift Switch |
| 19 | WD-900-2033 | 1 | | Electric Lift Actuator |
| 20 | WD-900-5017 | 1 | S | Oil Sending Unit |
| | WD-900-2035 | 1 | | Wiring Harness |